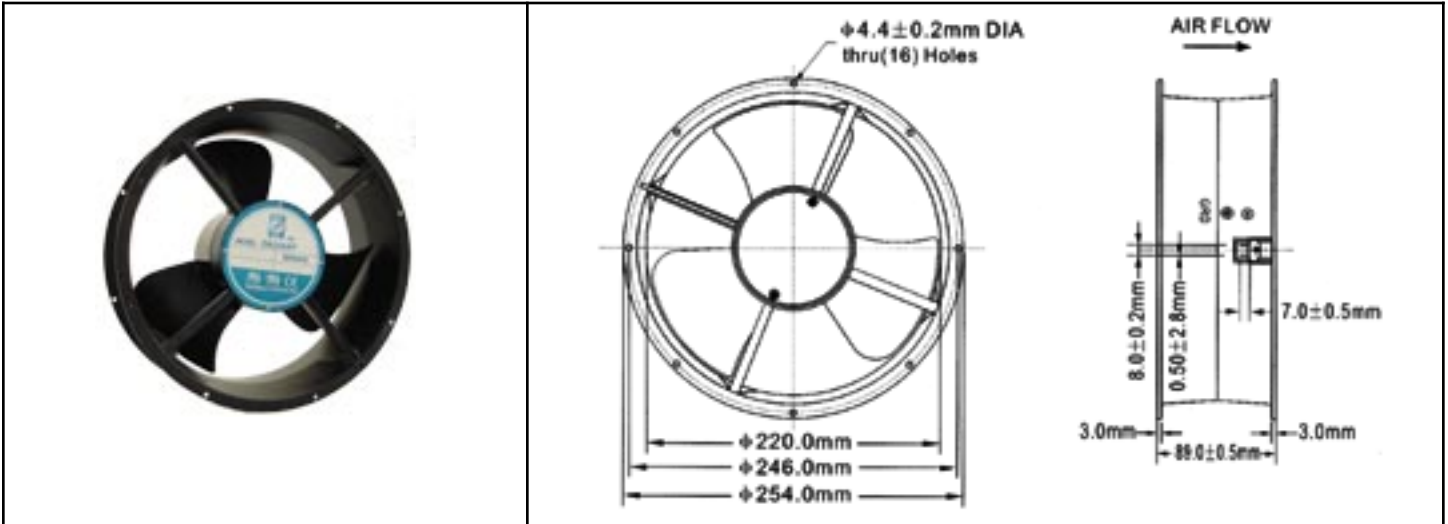


# OA254 Series



254 x 89mm  
(10.0" x 3.5")



Frame	Diecast Aluminum	<u>Operating Temperature</u> Ball Bearing -20C ~ +80C  <u>Life Expectancy</u> Ball Bearing 60,000 hours (L10 at 40C)	
Impeller	PBT, UL94V-O plastic		
Connection	2x Lead Wires or Terminals		
Motor	Capacitor drive, impedance and thermally protected		
Bearing System	Dual ball		
Insulation Resistance	>100M ohm between lead-wire and frame (500VDC)		
Dielectric Strength	1 min at 1500 VAC, 50/60Hz		

Part Number	OA254AP-11-1 *	OA254AP-22-1 *
Nominal Voltage	115VAC	230VAC
Voltage Range	80 ~ 130VAC	160 ~ 260VAC
Rated Power	35 W	35 W
Rated Speed (RPM)	1650	1650
Airflow (CFM)	547	547
Noise Level (dB)	55	55
Max. Static Pressure	0.39" H <sub>2</sub> O	0.39" H <sub>2</sub> O

\* Indicate "TB" for terminal type or "WB" for Wire leads (300mm)